

# VIBRATING SCREEN



## HD series Inclined Vibrating Screen

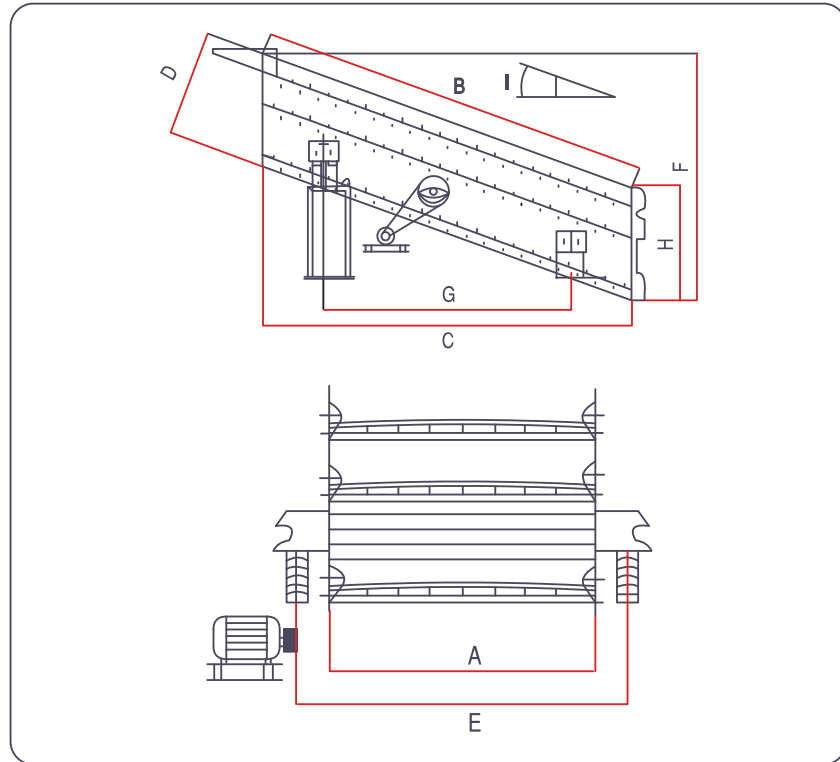
HD series inclined vibrating screen are designed for consistent performance in heavy-duty applications. They are well suited to high efficiency, large capacity size operations such as coal and mineral processing or large-scale aggregate productions. Single, double, triple and four deck arrangements are available to suit the requirement of different projects.

### Salient Features

- Heavy-duty frame and structure with sufficient stiffer angles add to frame rigidity.
- Free tray arrangement with protective wear liners at feeding point reduces the rapid wear and tear of the screening surface.
- Special type of screen holding system provides better stiffness to the screening surface as well as protects the side plate of the screen frame from rapid abrasion.
- Adjustable counter weight arrangement to suit the requirement of the screening efficiency.



### Sectional View



### Technical Data

| Model    | Screen Size | No. of Decks | Capacity (TPH) | Motor (HP) | A    | B    | C    | D    | E    | F    | G    | H    | I  | Weight (Kgs) |
|----------|-------------|--------------|----------------|------------|------|------|------|------|------|------|------|------|----|--------------|
| HD 10.4D | 3050X1170   | 2            | 20-40          | 7.5        | 1220 | 1358 | 3050 | 1115 | 1625 | 1972 | 1900 | 1155 | 15 | 2200         |
| HD 10.4T | 3050X1170   | 3            | 20-40          | 7.5        | 1220 | 1358 | 3050 | 1500 | 1625 | 2370 | 1900 | 1553 | 15 | 2500         |
| HD 12.4D | 3660X1170   | 2            | 40-50          | 10         | 1220 | 3706 | 3580 | 1102 | 1625 | 2100 | 2280 | 1141 | 15 | 2880         |
| HD 12.4T | 3660X1170   | 3            | 40-50          | 12.5       | 1220 | 3706 | 3580 | 1521 | 1625 | 2534 | 2280 | 1575 | 15 | 3000         |
| HD 1.55D | 4575X1475   | 2            | 50-100         | 15         | 1525 | 4711 | 4550 | 1345 | 2000 | 2612 | 3000 | 1392 | 15 | 3200         |
| HD 155T  | 4575X1475   | 3            | 50-100         | 20         | 1525 | 4711 | 4550 | 1815 | 2000 | 3109 | 3000 | 1889 | 15 | 3500         |
| HD 166D  | 4875X1775   | 2            | 100-150        | 25         | 1800 | 4800 | 4693 | 1435 | 2242 | 2743 | 1644 | 1486 | 15 | 5000         |
| HD 166T  | 4875X1775   | 3            | 100-150        | 30         | 1800 | 4800 | 4693 | 1735 | 2242 | 3054 | 1644 | 1796 | 15 | 5500         |
| HD 207D  | 6100X2075   | 2            | 150-250        | 30         | 2120 | 6055 | 5690 | 1325 | 2550 | 3480 | 3758 | 1410 | 20 | 6750         |
| HD 207T  | 6100X2075   | 3            | 150-250        | 40         | 2120 | 6055 | 5690 | 1675 | 2550 | 3830 | 3758 | 1760 | 20 | 8000         |